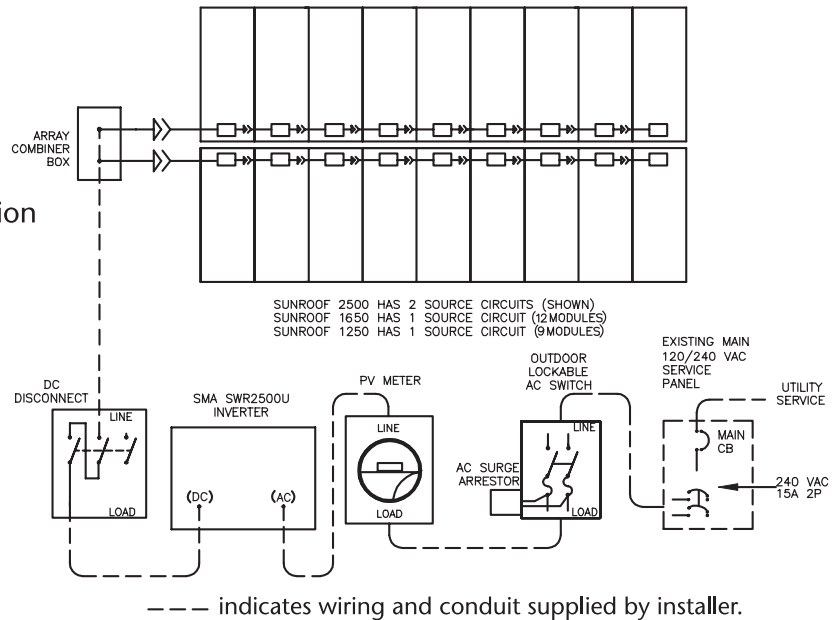


Schott Applied Power Corporation - SunRoof RS™

The SunRoof RS 1250, 1650, and 2500 complete with:

- The SunRoof RS 1250 - with 9 SAPC-165 modules.
The SunRoof RS 1650 - with 12 SAPC-165 modules.
The SunRoof RS 2500 - with 18 SAPC-165 modules.
- UniRac SolarMount with 108" rails, 4 "L" feet, clamps and fasteners.
- Sunny Boy 2500U with LCD display
- Source Circuit Combiner Box
- Revenue grade digital kW hour meter
- Fusible AC Disconnect with hub
- MultiContact™ Connectors for easier installation
- AC surge arrester
- Solar array grounding equipment
- 600V DC rated solar array disconnect switch
- Installation Manual



SAPC-165 PHOTOVOLTAIC MODULE

SPECIFICATIONS

Cell	Multi-crystal silicon solar cells, 125mm square
No. of cells and connections	72 in series
Configuration	Nominal 24V DC Output
Maximum system voltage	600V DC
Series fuse rating	10A
Nominal power	165 W +/- 10%
Dimensions	62" x 32.5" x 1.8"
Weight	37.5 lbs.

PV SYSTEM DC RATING AT STC

	9-module SR 1250	12-module SR 1650	18-module SR2500
Rated Power	1485 W	1980 W	2970 W
Open-Circuit Voltage	388 VDC	517 VDC	388 VDC
Max-Power Voltage	311 VDC	414 VDC	311 VDC
Short-Circuit Current	5.46 A	5.46 A	10.92 A
Max-Power Current	4.77 A	4.77 A	9.54 A
PV System AC Rating at CEC	1230 W	1640 W	2460 W

ELECTRICAL CHARACTERISTICS

Model SAPC-165				
Parameters	Symbol	Nominal	Unit	Conditions
Open circuit voltage	Voc	43.1	V	
Maximum power voltage	Vmp	34.6	V	Irradiance:
Short circuit current	Isc	5.46	A	1000 W/m ²
Maximum power current	Imp	4.77	A	
Maximum power	Pm	165.0	W	Module
Encapsulated solar cell efficiency	nc	14.6	%	temperature:
Module efficiency	nm	12.7	%	25°C

SCHOTT
glass made of ideas

1-800-777-6609

1-800-344-2003

www.schottappliedpower.com